

# BASO 4.0 PERIMETER



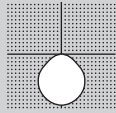
## Catalog Number Example

BASO 4.0-RTR-BL-O3-30K-C80-UNV-010V-SEN-955LF-NLC-RS-72IN-CCEA

<p><b>A RANGE</b></p> <p>BASO 4.0      B A S O 4 . 0</p>	<p><b>K SENSOR (optional)</b></p> <p>Integrated Sensor      S E N</p> <p>consult customer service for sensor request</p>
<p><b>B SUB CATEGORY</b></p> <p>Perimeter      P M</p>	<p><b>L OUTPUT LM/FT</b></p> <p>CS 500 lm/ft 100% ↓      0 5 0 0 L F</p> <p>CS 750 lm/ft 100% ↓      0 7 5 0 L F</p> <p>CS 1000 lm/ft 100% ↓      1 0 0 0 L F</p> <p>Custom lm/ft      X X X X L F</p> <p><i>custom lumen up to 1400 lm/ft</i></p>
<p><b>C MOUNTING</b></p> <p>CS Recessed trimless      R T L</p> <p>CS Recessed with trim      R T R</p> <p>CS Armstrong Suprafine 9/16" G      A 9 G</p> <p>CS Armstrong Interlude 9/16" SG      A 9 S</p> <p>CS Armstrong Silhouette 9/16" BSG      A 9 S</p> <p>CS Armstrong Prelude 15/16" G      A 1 5</p> <p>CS 9/16" Grid (any brand)      G R D</p> <p>CS 9/16" Slot Grid (any brand)      G R D</p> <p>CS 15/16" Grid (any brand)      G R D</p> <p>Custom      X X X</p>	<p><b>M CIRCUIT / EM</b></p> <p>CS Single circuit      *</p> <p>EMC night light circuit      N L C</p> <p>EMB available in 4ft and 8ft      E M #</p> <p>* leave blank</p>
<p><b>D COLOR</b></p> <p>CS White      W H</p> <p>CS Black      B L</p> <p>Gray      G R</p> <p>Custom color RAL      X X</p> <p><i>trimless version available in white only</i></p>	<p><b>N SHAPE / PATTERN</b></p> <p>CS Linear / straight      S T</p> <p>CS Linear / straight + flex inset      S F</p> <p><i>includes 1ft. field-cutttable section; only available for 4' and 8' segments</i></p> <p>L-shape      L S</p> <p>□-shape (rectangular shape)      R S</p> <p>U-shape      U S</p> <p>Custom shape      X X</p> <p><i>for grid applications using L-shape, rectangular shape or U-shape, please contact customer service for availability</i></p>
<p><b>E LENS REGRESSION</b></p> <p>HP opal cover 2" regressed      O 2</p> <p>HP opal cover 3" regressed      O 3</p> <p>HP opal cover 4" regressed      O 4</p> <p><i>fixture depth is field-adjustable</i></p>	<p><b>O DIMENSIONS IN INCH</b></p> <p>Linear 2'      2 4 I N</p> <p>CS Linear 4'      4 8 I N</p> <p>CS Linear 6'      7 2 I N</p> <p>CS Linear 8'      9 6 I N</p> <p>Linear custom      # # # I N</p> <p>Linear flex inset      # # # I N</p> <p><i>includes 4' to 3' field-cutttable section</i></p> <p>L-Shape      # # # X # # # I N</p> <p>U-Shape      # # # X # # # X # # # I N</p> <p>□-Shape      # # # X # # # I N</p> <p><i>for lengths including flex insets, round up to the nearest total foot length</i></p>
<p><b>F END CAP DETAIL</b></p> <p>Trim endcap (RTR only)      T R</p> <p>Trimless endcap - wall to wall      T L</p> <p>Invisible endcap - wall to wall      I N</p>	<p><b>P CERTIFICATION (optional)</b></p> <p>Chicago Plenum      C C E A</p> <p>Red List Approved      R L A</p>
<p><b>G CCT</b></p> <p>2700K      2 7 K</p> <p>CS 3000K      3 0 K</p> <p>CS 3500K      3 5 K</p> <p>4000K      4 0 K</p>	<p><b>I VOLTAGE</b></p> <p>120V / 277V      U N V</p>
<p><b>H CRI</b></p> <p>CRI &gt; 80      C 8 0</p> <p>CRI &gt; 90      C 9 0</p>	<p><b>J DIMMING</b></p> <p>CS 0-10V 1%      0 1 0 V</p> <p>Lutron EcoSystem      L E S 1</p> <p>Quantum, Vive, GRAFIK Eye, HomeWorks</p> <p>Power over ethernet      P O E C</p> <p>consult customer service for compatibility</p> <p>Custom dimming      X X X X</p> <p>consult customer service for compatibility</p>

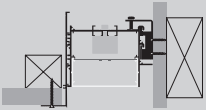
## PERFORMANCE

- Up to 111lm/W efficiency
- 500 / 955lm/ft
- CRI > 80 & CRI > 90
- IC & Damp rated



## MOUNTING

Perimeter



## PATTERNS



Angular

Rectangular

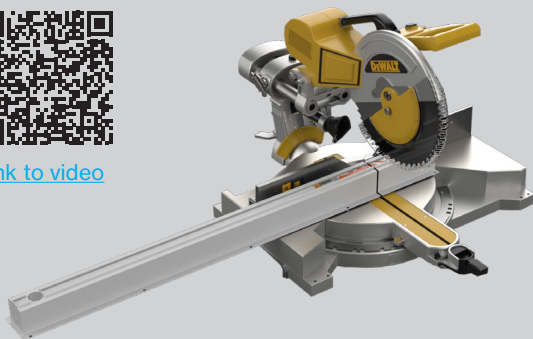
For customization, please contact customer service

## FIELD-CUTTTABLE FLEX

Down to 1/16"

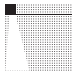



[link to video](#)



**BASO**  
basolighting.com  
xalusa.com

### Technical data

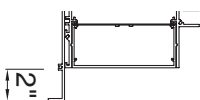
	SIZE TYPE	LED COLOR TEMPERATURE	INPUT WATTS	DELIVERED LM TOTAL	LIGHT DISTRIBUTION	DELIVERED LM DIRECT	DELIVERED LM INDIRECT	OPTICAL EFFICIENCY	LUMINAIRE EFFICACY
<b>BASO DIRECT</b>									
 e LED	2' linear	40K	9W	1000lm	100% down	500lm/ft	-	74%	111lm/W
	4' linear		18W	2000lm					
	6' linear		27W	3000lm					
	8' linear		36W	4000lm					
	2' + 2' corner		18W	2000lm					
 e² LED	2' linear	40K	18W	1900lm	100% down	955lm/ft	-	74%	106lm/W
	4' linear		36W	3800lm					
	6' linear		54W	5700lm					
	8' linear		72W	7600lm					
	2' + 2' corner		36W	3800lm					

for 30K or 35K multiply lm value by 0.96

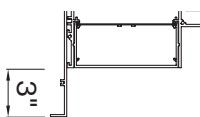
### Perimeter depth

field adjustable

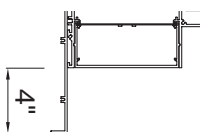
#### 2" REGRESSED



#### 3" REGRESSED

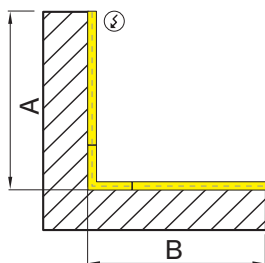


#### 4" REGRESSED

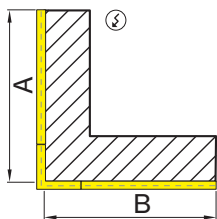


### Patterns top view

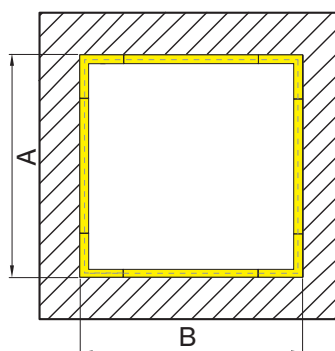
#### L-SHAPE inside corner



#### L-SHAPE outside corner

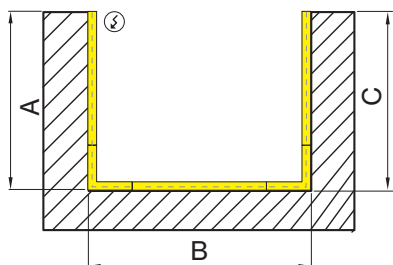


#### □-SHAPE inside corner

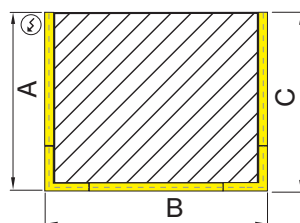


A / B	FIXTURES	CODE
48" / 48"	2 × 2' linear + 1 × 2' × 2' corner	0 4 X 0 4 F T
48" / 96"	1 × 2' linear + 1 × 6' linear + 1 × 2' × 2' corner	0 4 X 0 8 F T
96" / 96"	2 × 6' linear + 1 × 2' × 2' corner	0 8 X 0 8 F T

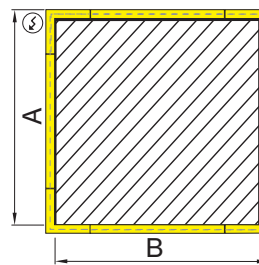
#### U-SHAPE inside corner



#### U-SHAPE outside corner



#### □-SHAPE outside corner

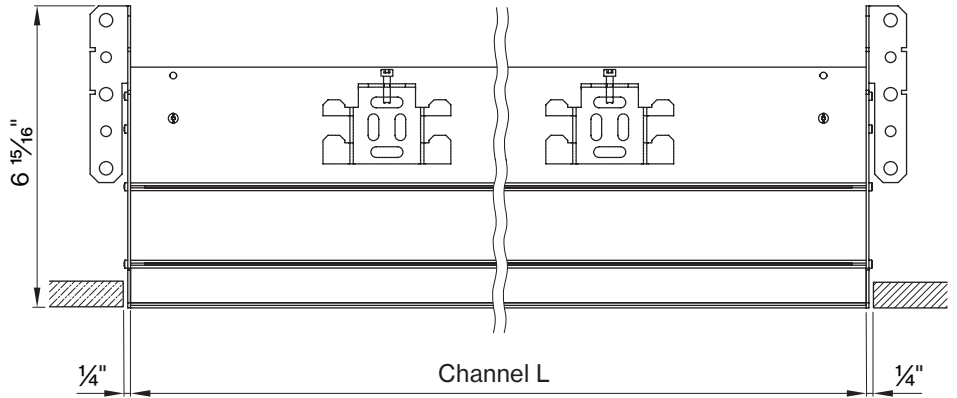
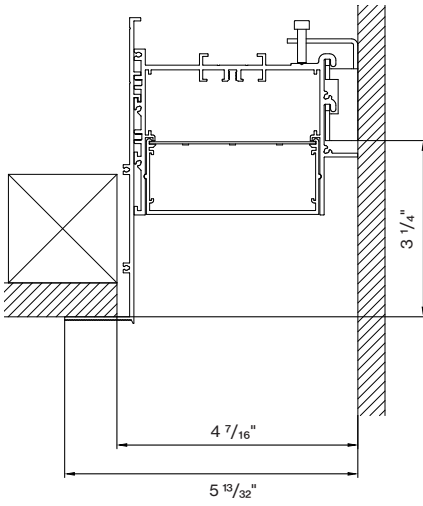


A / B / C	FIXTURES	CODE	A / B	FIXTURES	CODE
48" / 48" / 48"	2 × 2' linear + 2 × 2' × 2' corner	0 4 X 0 4 X 0 4 F T	48" / 48"	4 × 2' × 2' corner	0 4 X 0 4 F T
48" / 96" / 48"	1 × 4' linear + 2 × 2' linear + 2 × 2' × 2' corner	0 4 X 0 8 X 0 4 F T	48" / 96"	2 × 4' linear + 4 × 2' × 2' corner	0 4 X 0 8 F T
48" / 144" / 48"	1 × 8' linear + 2 × 2' linear + 2 × 2' × 2' corner	0 4 X 1 2 X 0 4 F T	96" / 96"	4 × 4' linear + 4 × 2' × 2' corner	0 8 X 0 8 F T

DIMENSIONS

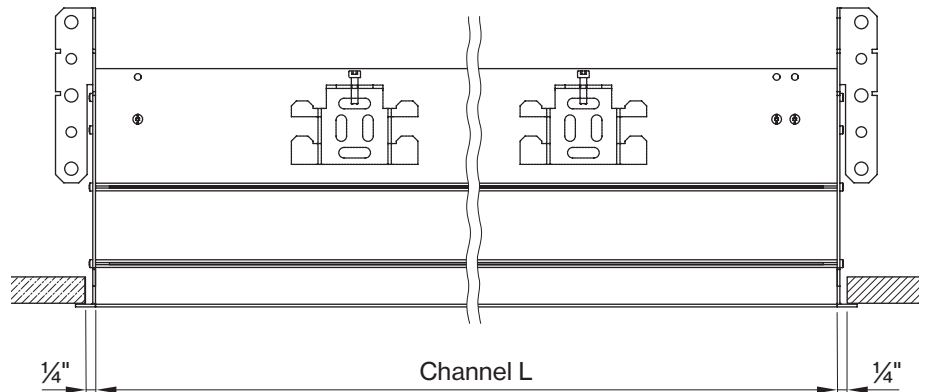
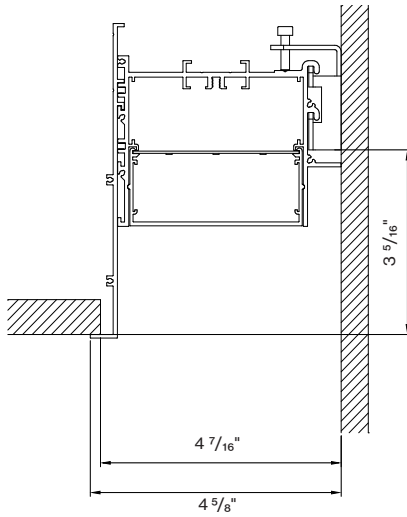
**BASO 4.0 PERIMETER**

trimless flush



please see BASO 4.0 PERIMETER mounting instructions for 3" and 4" regressed dimensions

with trim flush



please see BASO 4.0 PERIMETER mounting instructions for 3" and 4" regressed dimensions

**Declare.**

**BASO 1.5 2.5 4.0**  
**XAL USA Incorporated**

Final Assembly: Collins, Connecticut, USA  
 LBN (Declare's brand)  
 End of Life Options: Recyclable (70%), Landfill (30%)

**Ingredients:**  
 Aluminum, 2-Propenoic acid, 2-methyl-, methyl ester, polymer with ethyl 2-cyanobenzoate, Steel, manufacture, Chemicals, Copper chloride (CuCl<sub>2</sub>), Polyvinyl Chloride, Unmethyl Siloxane, Polyethylene Glycol, Hexamethylphosphoramide, Copper ions, Tin, Organic Silicones, Zinc

1. LBC Temp Exception RE-002 - Small Electrical Components

**Living Building Challenge Criteria:**

**H1 Red List:**  
 LBC Red List Free:  1. Disposed 100% at 100ppm  
 LBC Red List Approved:  VOC Content: Not Applicable  
 Recycled:

H10 Interior Performance: Not Applicable  
 H14 Responsible Sourcing: Not Applicable

XAL-0002  
 8/31/2018 (Rev. 2024)  
 Original Issue Date: 2023

INTERNATIONAL LIVING BUILDING CHALLENGE - <http://www.livingbuildingchallenge.com>

**BASO mounting instructions**

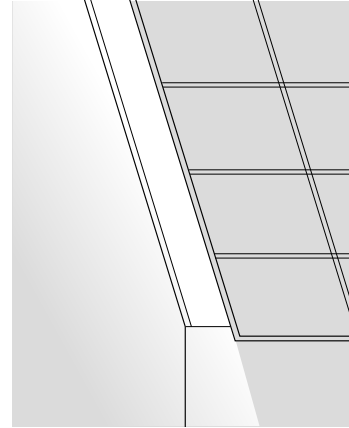
Get access to the BASO 4.0 mounting instructions faster by scanning the QR code.

[www.xalusa.com/resources/mounting-instructions/baso](http://www.xalusa.com/resources/mounting-instructions/baso)

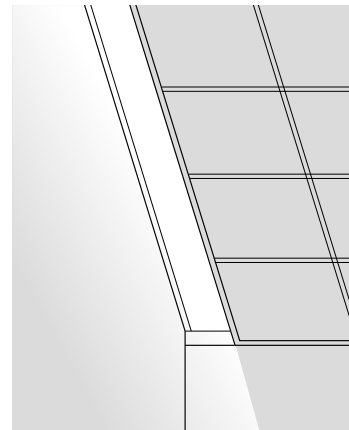
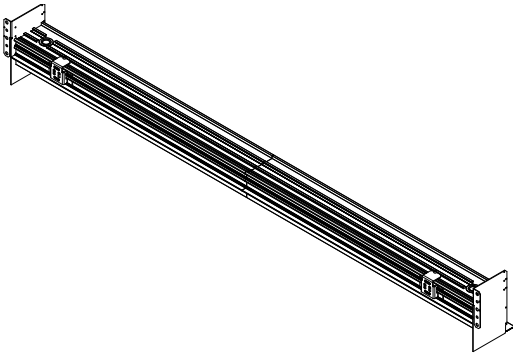


## BASO 4.0 PERIMETER

Invisible endcap



Trimless endcap



Trim endcap (RTR only)

